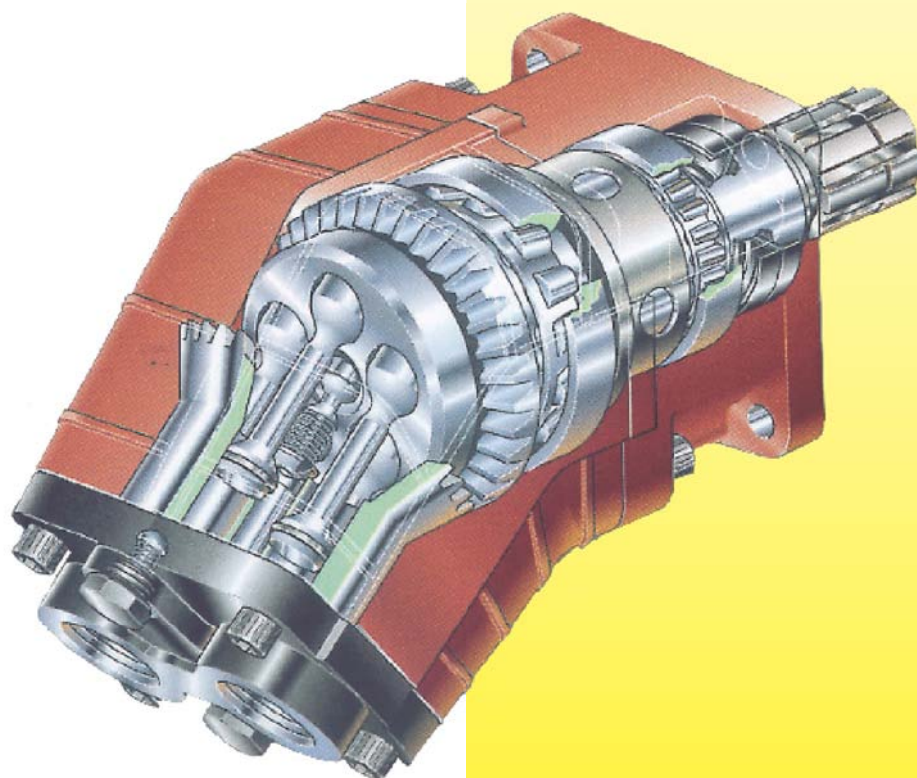




THS

**TRANSPORT
HYDRAULIC
SOLUTIONS**



HYDROCAR

PAI BENT AXIS PUMP

Free Call Now
NZH 0800225569 AU 1800225569
www.transporthydraulics.com

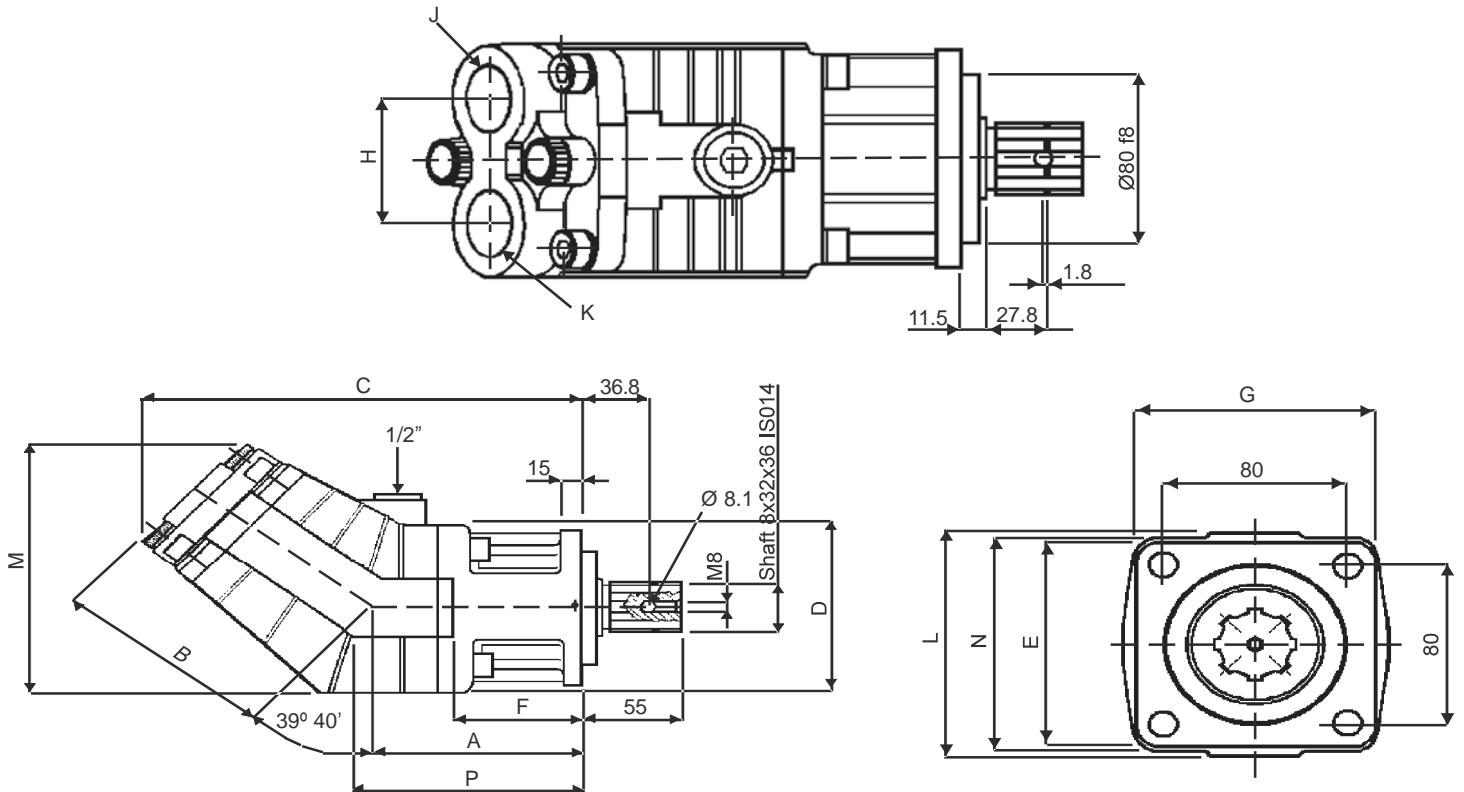
PAI BENT AXIS PUMP

Standard Features:

- ✓ High pressure.
- ✓ Lightweight construction.
- ✓ European mounting.

Options:

- ✓ Left or right hand rotation.



DIMENSIONS AND WEIGHTS

TYPE	A	B	C	D	E X F	G	H	J	K	L	M	N X P	Q	Weight (kg)
PAI60	118	129	240	116	100 x 60	104	60	1"	3/4"	112	174	112 x 125	112	10
PAI80	118	131	242	116	100 x 36	104	60	1.1/4"	1"	112	175	112 x 125	112	15

SPECIFICATIONS

TYPE			PAI60	PAI80
Displacement	Vg	cm ³ /n cm ³ /rev	60.2	78.2
Max continuous operating pressure	P 1	bar	250	250
Max intermittent operating pressure	(Max 30 sec) P 2		350	350
Max peak pressure	(0.1 sec) P 3		450	400
Max intermittent speed	(P 30 bar) n3	n / m rpm	2200	2000
(max 30 sec)	(P2) n2		1800	1500
Max continuous speed	(P1) n1		1500	1300
Min intermittent speed (max 30 sec)	(P2) n4		400	400
Suction Pressure (absolute)	P	bar	0.7 + 2.5	
Operating viscosity range	v	cSt	9 + 75	
Optimal viscosity range	v		15 + 35	
Start up max viscosity	v		1000	1000
Fluid Tc°	t	c°	-25 + 80 c°	