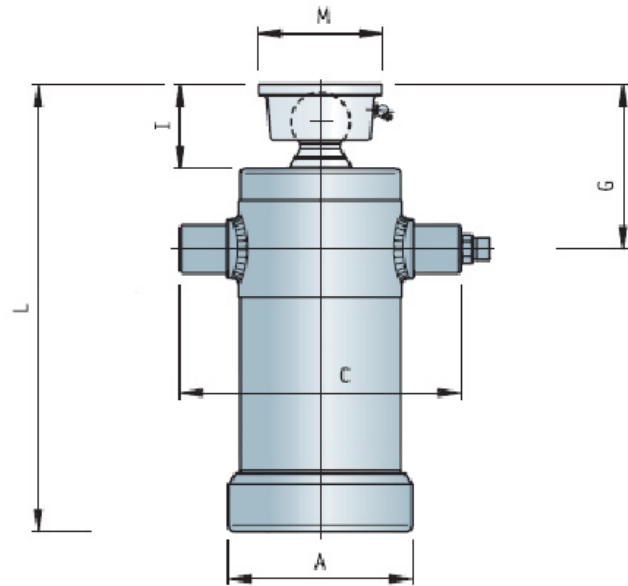


THS Under-Body C.U.S. Cylinder c/w Ball Joint & Raised Trunnion

- Displacement Cylinder
- Specifically designed for Under-Body work
- Hardened Chromed Tubes
- Steel stop faces
- Serviceable design
- 160bar (2300psi) operating pressure
- Polyurethane High pressure seals
- Wiper-scraper seals
- Raised Trunnion is Ideal for tight installations



Model and Dimensions

Model	Stroke	Pin Size	Oil Volume	A	C	G	I	L	M
170-04-80	1700	40	12L	145	230	155	80	585	115
215-05-120	2150	50	26L	195	290	200	80	610	115
260-06-100	2600	50	27L	195	290	200	80	615	115

Notes: All dimensions excluding those indicated are in millimetres (mm)

Mounting feet are sold separately, the trunnion port fitting is included

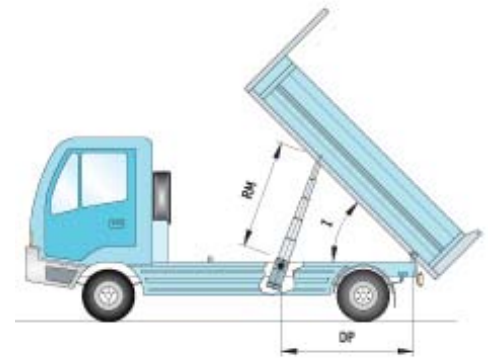
The 40mm foot has a 15 x 108 hole centre whilst the 50mm foot has a 15 x 116 hole centre

Where the cylinder is subject to severe body racking we recommend the use of a 2 way trunnion mount



Performance Specifications (Tip Angle / Tip Load)

- 160bar operating pressure
- Pull-out = 20mm
- Cylinder leaning forward 45°
- Overhang = 300mm
- COG = ½ Body Length
- BPC = ½ x Body Length – Overhang
- Tip capacity is based on the last moving stage



Body Length	4000	4250	4500	4750	5000	5250	5500	5750	6000	6250	6500	6750	7000	7250	7500
170-04-80	59.2°	54.8°	51.1°	47.9°	45.1°										
	7.1t	6.7t	6.4t	6.1t	6.0t										
215-05-120					57.9°	54.6°	51.6°	49.0°	46.6°	44.5°					
					11.1t	10.6t	10.1t	9.8t	9.5t	9.3t					
260-06-100									57.1°	54.4°	51.9°	49.7°	47.7°	45.8°	44.1°
									7.2t	6.9t	6.6t	6.4t	6.2t	6.1t	6.0t

NZ 0800 22 55 69
 AU 1800 22 55 69
www.transporthydraulics.com
sales@transporthydraulics.com

Quote Ref:
 Date:
 NZ\$



THS

TRANSPORT
 HYDRAULIC
 SOLUTIONS