



THS

**TRANSPORT
HYDRAULIC
SOLUTIONS**



DELTA

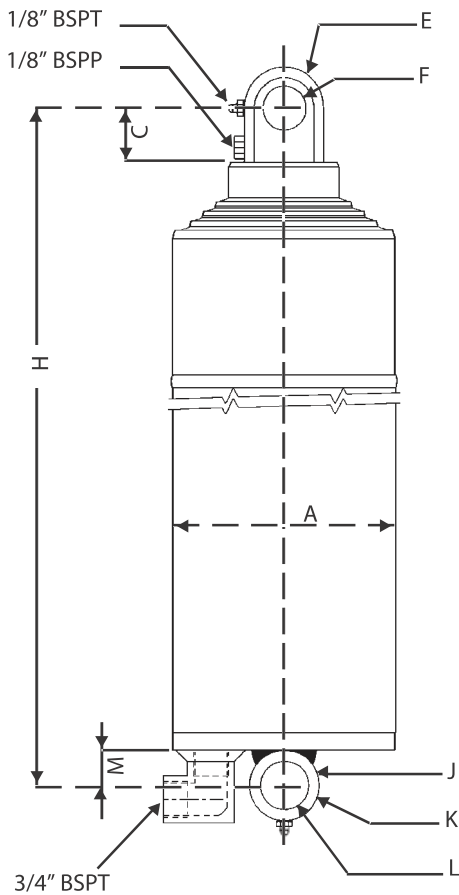
CC SERIES 2000

Free Call Now

NZ 0800225569 AU 1800225569

www.transporthydraulics.com

CC SERIES 2000



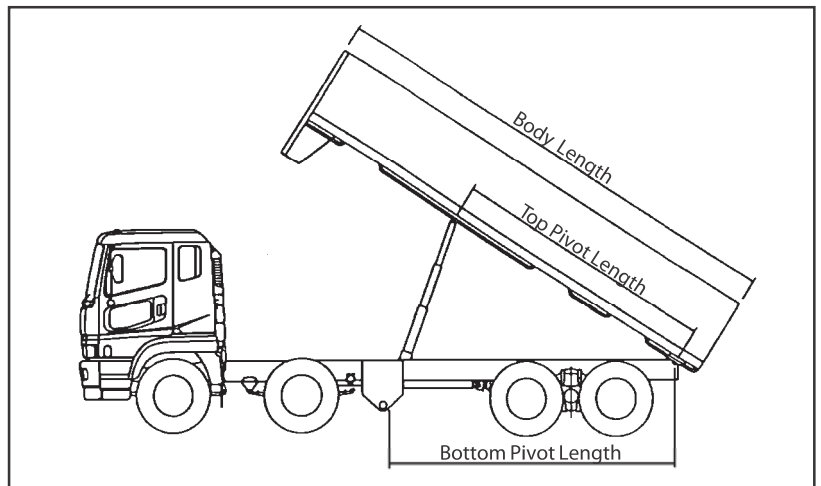
Standard Features:

- ✓ All stages hard chrome plated for greater life.
- ✓ All stages top sealing using technologically advanced twin lip seal.
- ✓ New "Flapped" wiper eliminates moisture entry into cylinder.
- ✓ Bleed plug on top of cylinder.
- ✓ 21 Mpa (3000 psi) max. operating pressure on 35's to 77's.
Normal operating pressure 17.5 Mpa (2500 psi).
- ✓ 17.5 Mpa (2500 psi) max. operating pressure on 87's.
Tipping capacities calculated at 17.5 Mpa (2500 psi).

Options:

- ✓ Bore sealed on last stage.
- ✓ Double acting on last stage.
- ✓ Raised port block.

		MODEL		
		45CC	55CC	65CC
STANDARD DIMENSIONS	A	115	140	165
	C	46	40	40
	E		29	30
	F	32.1	32.1	32.1
	J		51	51
	K	125 Wide	152 Wide	178 Wide
	L	35	35	35
	M		25.5	25.5



MODEL	Max Body Length	Body & Payload Tonne	Closed Centres H	Swept Volume Litres (Per Cylinder)	Mass Dry Weight KG (Per Cylinder)
S 2-45CC-3-2.16	5500	8	1025	17	45
S 2-55CC-4-2.4	6100	16	939	20.2	64
S 2-55CC-4-2.9	7390	16	1060	24.4	77
S 2-55CC-4-3-25*	8500	16	1140	27.4	86
S 2-65CC-3-2.3	7670	25	1130	33.2	95
S 2-65CC-4-2.3	7350	20	1016	28.7	93
S 2-65CC-4-3.0	8230	24	1143	37.4	111
S 2-65CC-4-3.2	8500	24	1140	40.0	116

* For cylinder dimensions of this model please request a detailed drawing