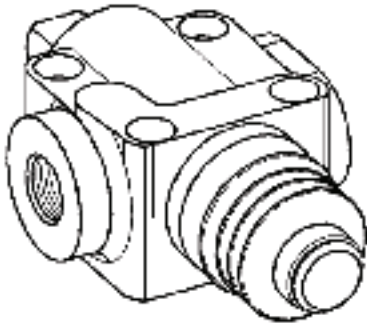




THS

TRANSPORT
HYDRAULIC
SOLUTIONS

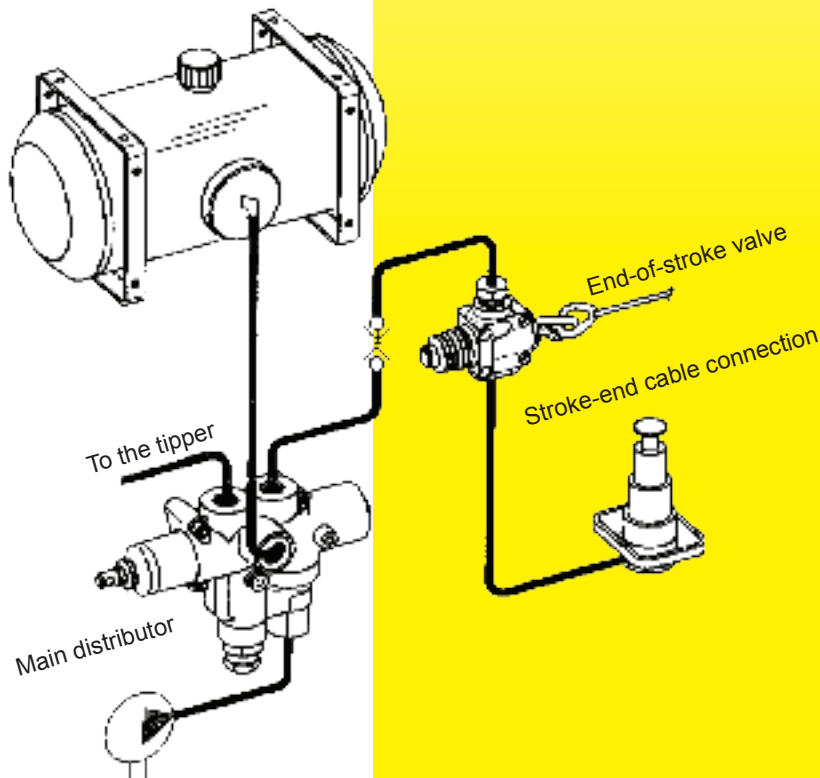
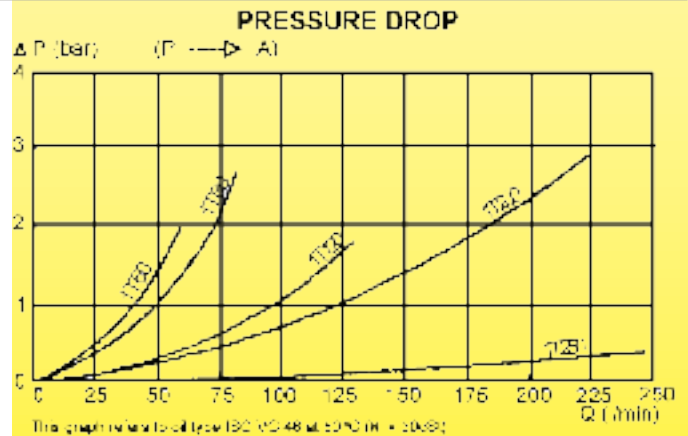
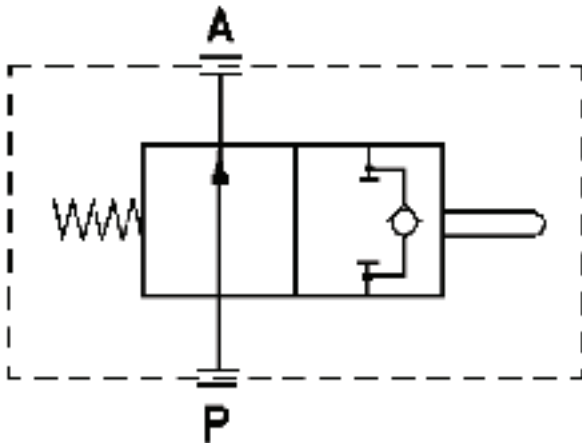
END OF STROKE VALVE



Two position mechanically operated end-stroke valve for tipper vehicle (trailer). It stops the flow to the cylinder without sending it to the tank.

On-line mounting.

Provided with a built-in check valve and flange connection to chassis. Several flow rate models are available.



Free Call Now
NZ 0800225569 AU 1800225569
www.transporthydraulics.com