

gigant 
the driving force

22.5 Disc Steering

- Euro Axle
- 10 Stud 335 pcd
- Compact Bearing
- Wabco Calliper
- ABS/EBS Sensor Standard
- Wide Track 2040
- Large Diameter King Pin
- Steering Dampner Standard



Contact us for pricing and enquiries



THS

**TRANSPORT
HYDRAULIC
SOLUTIONS**

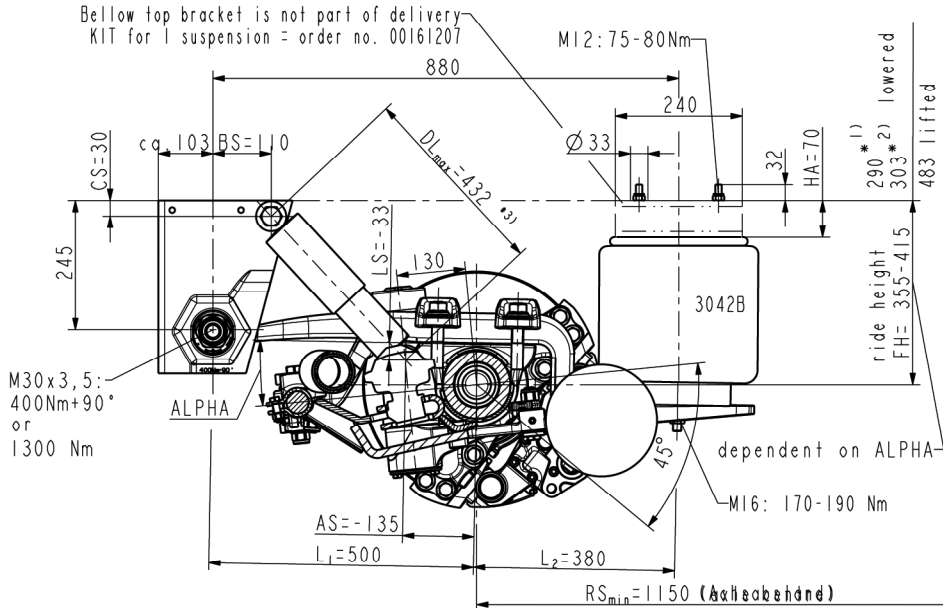
www.transporthydraulics.com

NZ 0800-22-55-69

AU 1800-22-55-69

DNOKH2 090 NKL RM FB70 355 ride height FH: 355-415 mm

Bellow top bracket is not part of delivery
KIT for I suspension = order no. 00161207



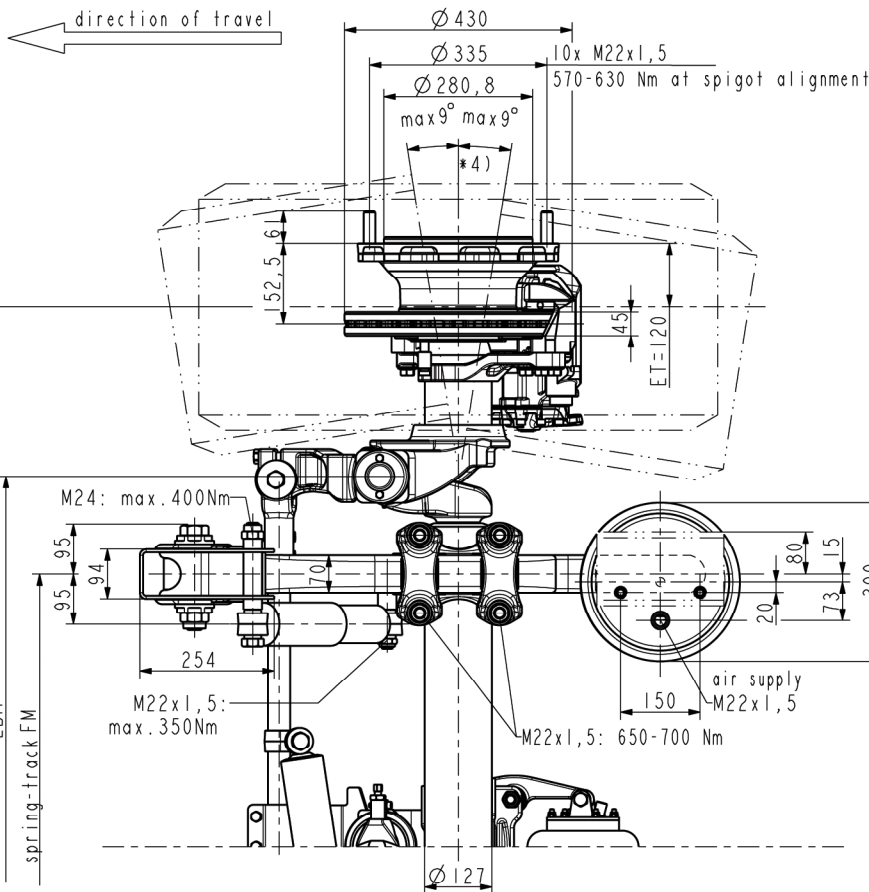
axle load:

max. 9000 kg at 105 km/h

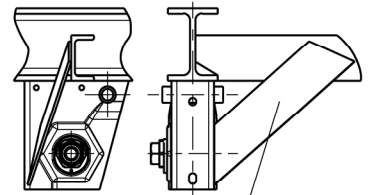
(depend on spring track and centre of gravity height)

lift in total: 180 mm at FH_{ol}^{*2)}

- * 1) laden, without air
- * 2) unladen, without air
- * 3) Just for raising and lowering (HS) locking valve to be adjusted that air supply is stopped at DL_{max}=432.
- * 4) Reducing of the steer angle has to be done by the trailer manufacturer



Recommendation side support
Details see Installation Instructions



not part of normal delivery

Use only with brake cylinders which are sealed inside and approved by the brake-manufacturer.

test report:
TDB 36110503 (4345 WABCO)

No.	FH/ALPHA	track	LBM	FM	order no.		weight kg (±2%)	recommendation for single mount
						ABS		
1	385 /4,8°	2040	1400	980	8 090 7 152	8 090 7 153	651	455/45 R22,5
2								
3								
4								
5								
6								
Mounting Tristop cylinder forbidden								

OBSERVE INSTALLATION INSTRUCTIONS !!!

gigant

TRENKAMP & GEHLE GmbH
D-49413 Dinklage

Draw.-no.: 73.036-4

Index
2