

gigant 
the driving force

22.5 Disc

- Euro Axle
- 10 Stud 335 pcd
- Compact Bearing
- Wabco Calliper
- ABS/EBS Sensor Standard
- Wide Track 2040
- Spring Centre 1200



Contact us for pricing and enquiries



THS

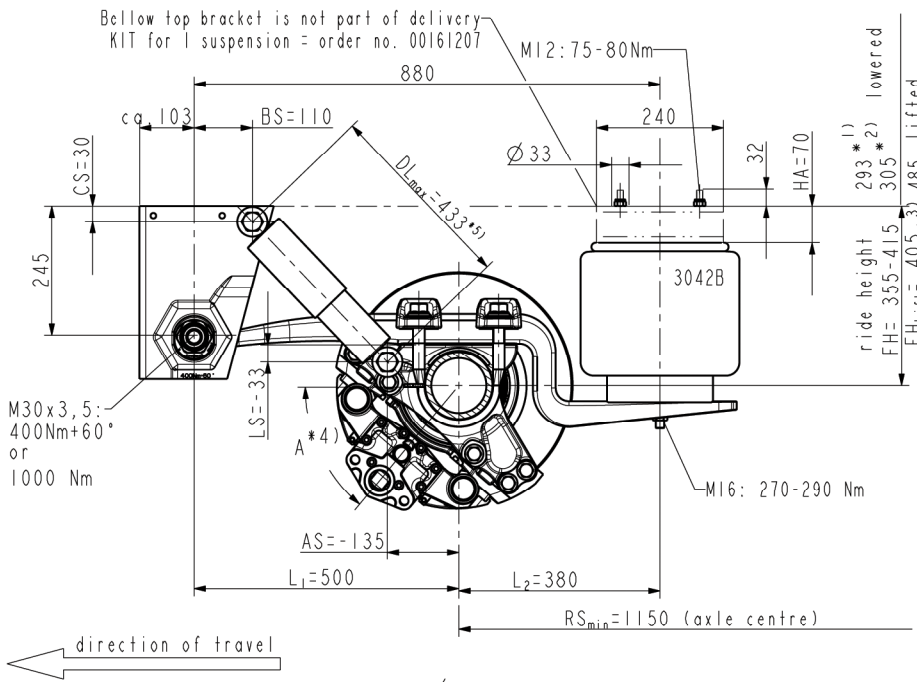
**TRANSPORT
HYDRAULIC
SOLUTIONS**

www.transporthydraulics.com

NZ 0800-22-55-69

AU 1800-22-55-69

DOKH2 090 NKLRM FB70 355 ride height FH: 355-415 mm



axle load:

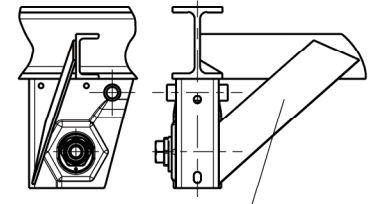
max. 9000 kg at 105 km/h

(depend on spring track and centre of gravity height)

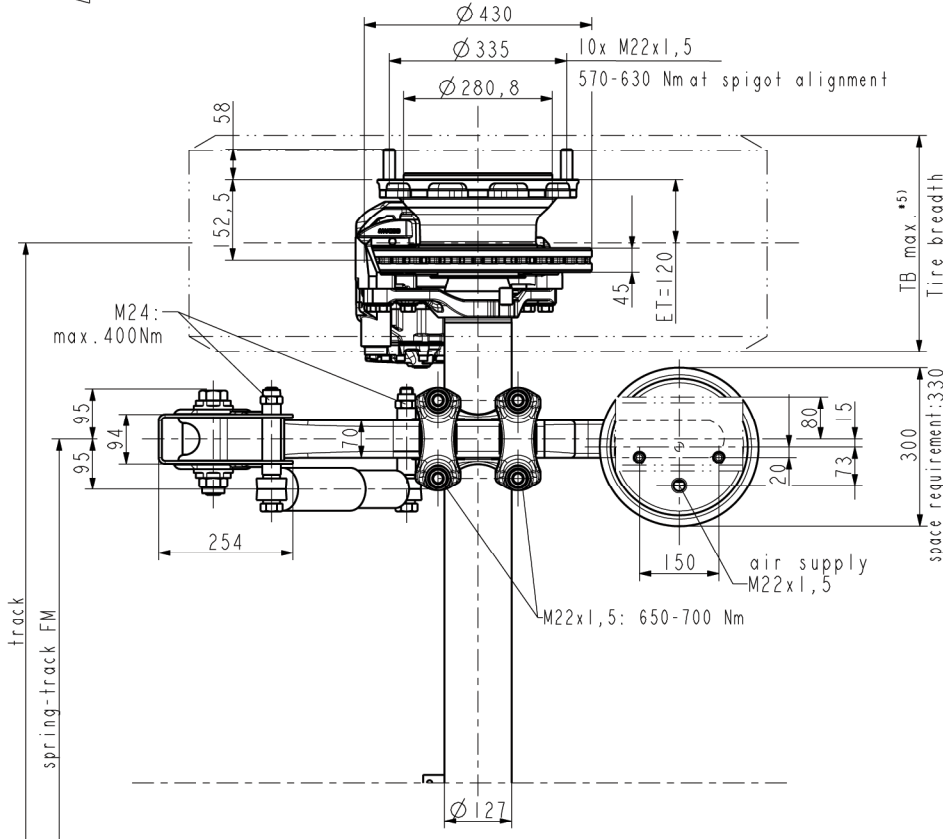
lift in total: 180 mm at FH_{oL}^{*2)}

- * 1) laden, without air
- * 2) unladen, without air
- * 3) FH_{Lift} = 405 mm
minimum acceptable height with axle lift
(theoretical distance Tire-Road = 100mm)
- * 4) -Twinlift No.
only for A=50°: 00631210
- * 5) Just for raising and lowering (HS) locking valve to be adjusted that air supply is stopped at DL_{max} = 433.

Recommendation side support
Details see Installation Instructions



not part of normal delivery



Use only with brake cylinders which are sealed inside and approved by the brake-manufacturer.

test report:

TDB NR.: 36110503

No.	track	A	FM	order no.		weight kg (±2%)	TB max.	recommendation for single mount
					ABS			
1	2040	50°	1200	80902762	80902763	447	510	385/65 R22,5
2	2040	50°	1300	80902764	80902765	447	410	
3	2090	50°	1300	80902766	80902767	449	460	
4								
5								
6								
7								
8								
9								

OBSERVE INSTALLATION INSTRUCTIONS !!!



GIGANT GROUP
Trenkamp & Gehle GmbH
49413 Dinklage

Draw.-no.: 72.898-4

Index
2