



THS

TRANSPORT
HYDRAULIC
SOLUTIONS



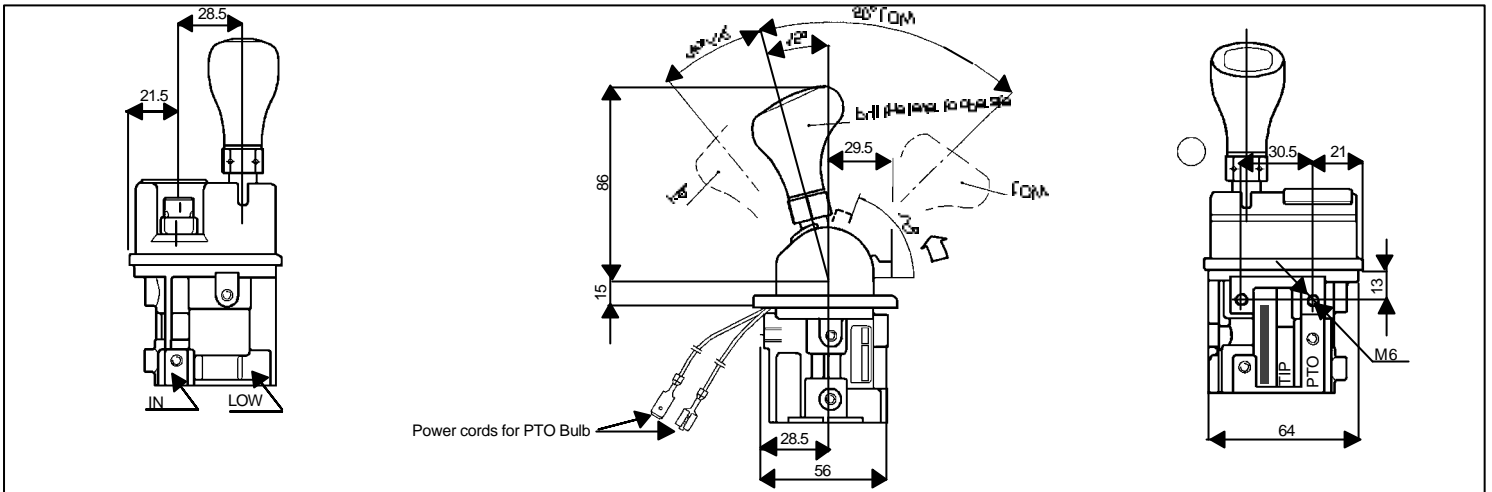
HYDROCAR

CAB CONTROL SERIES 2000

Free Call Now
NZ 0800225569 AU 1800225569
www.transporthydraulics.com

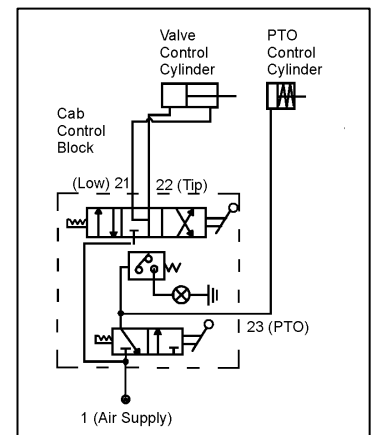
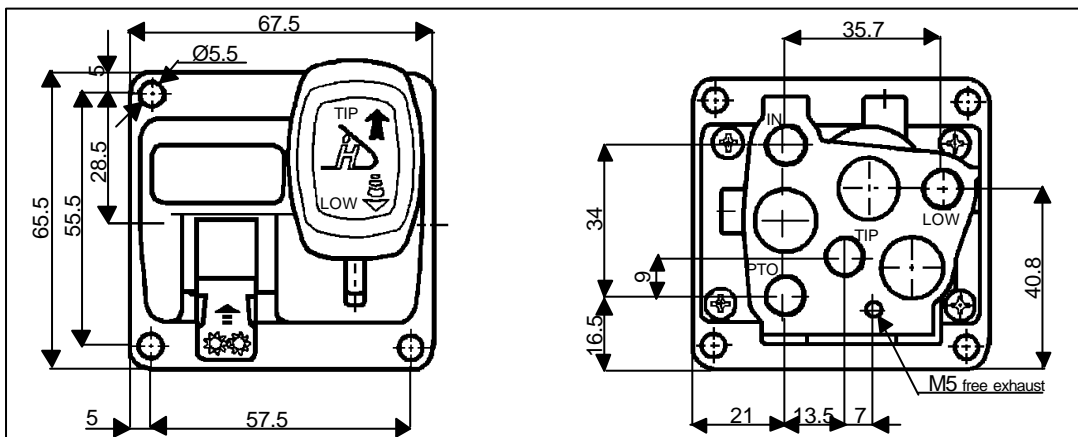
CAB CONTROLS

SERIES 2000



Features:

- ? Fully proportional control.
- ? Very strong/robust construction.
- ? Mechanically activated pressure switch.
- ? Positive lock, Raise/Lower/Hold.



The Series 2000 Cab Control is available with or without PTO kick-out and PTO switch. Accessories to the Cab Control are the **Mounting Box** and **Mounting Flange**.

- ? The mounting flange is ideal for dash or console mounting on compact cabs such as European and Japanese trucks.
- ? The mounting box offers the versatility of vertical or horizontal use of the controls, and can be sandwiched together for double bank configuration. The mounting box also has a provision for an auxiliary air switch which could be used for a tail door trip or change-over valve activation.

