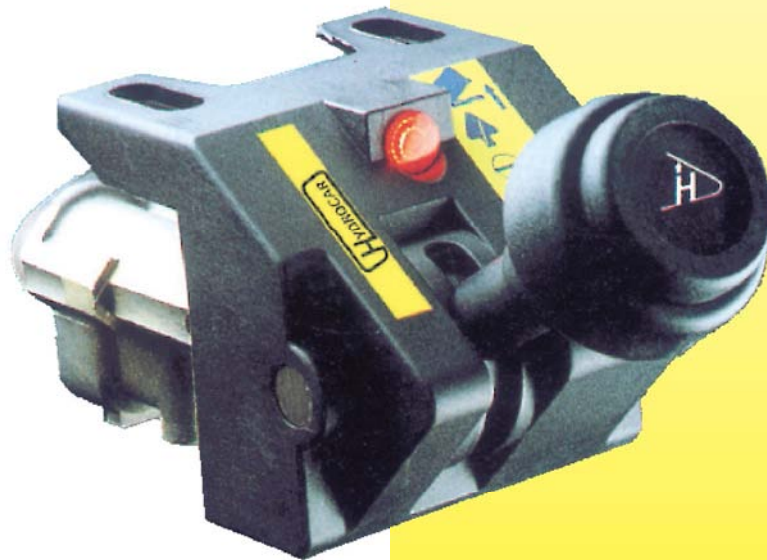




THS

TRANSPORT
HYDRAULIC
SOLUTIONS



HYDROCAR

HYDROCAR ORIGINAL STYLE CAB CONTROLS

Free Call Now

NZ 0800225569 AU 1800225569

www.transporthydraulics.com

HYDROCAR CAB CONTROLS

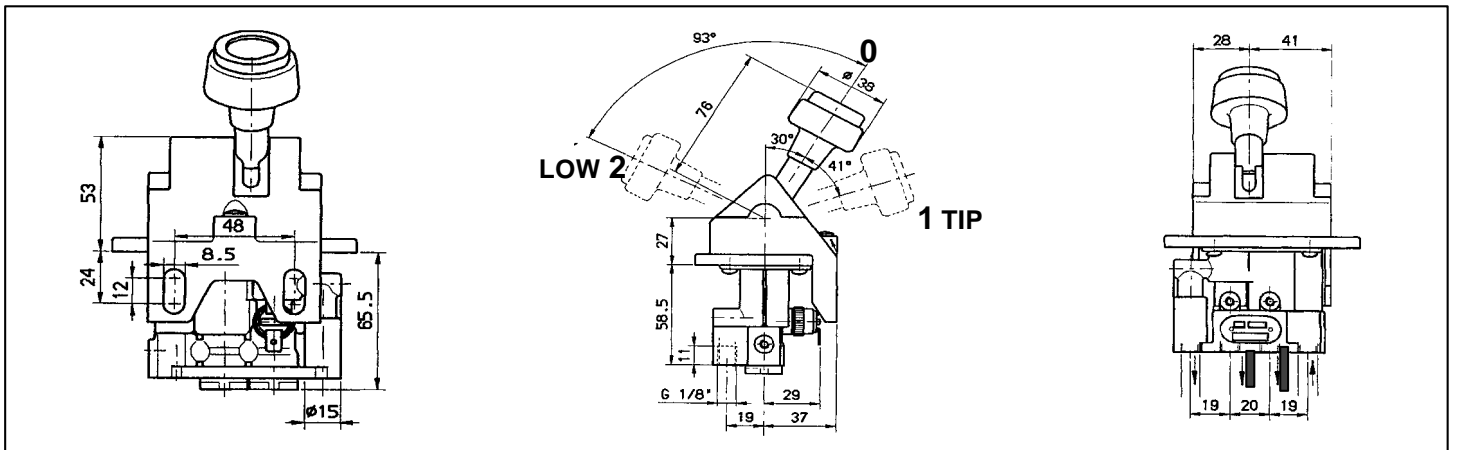
CP1S/DPZ SINGLE SHIFT CAB CONTROL

This circuit with an open centre to the cylinder allows proportional lowering speed settings of the tipper body.

The single level controls:

- Body tipping when in position "1".
- Body will hold in position "0".
- Proportional lowering speed setting when in position "2".

NB Proportional capability when combined with Proportional Valve.



CP2S/DPZ DOUBLE SHIFT CAB CONTROL

This circuit with an open centre to the cylinder allows proportional lowering speed settings of the tipper body.

The first shift can control:

- PTO engagement when in position "A".
- PTO disengagement when in position "B".

The second shift can control:

- Body tipping when in position "1".
- Body will hold in position "0".
- Proportional lowering speed setting when in position "2".

NB Proportional capability when combined with Proportional Valve.

