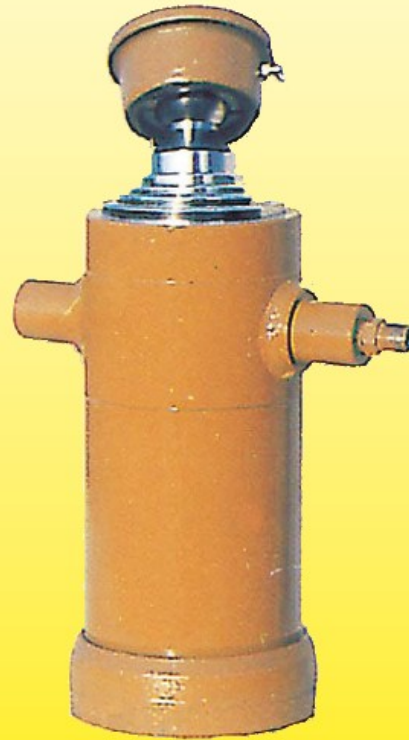




THS

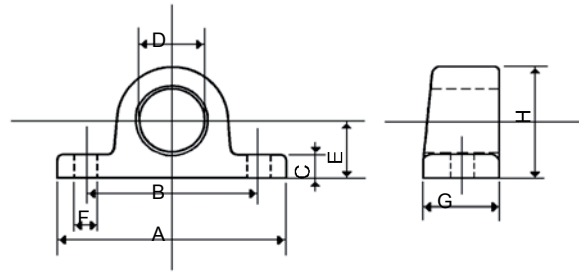
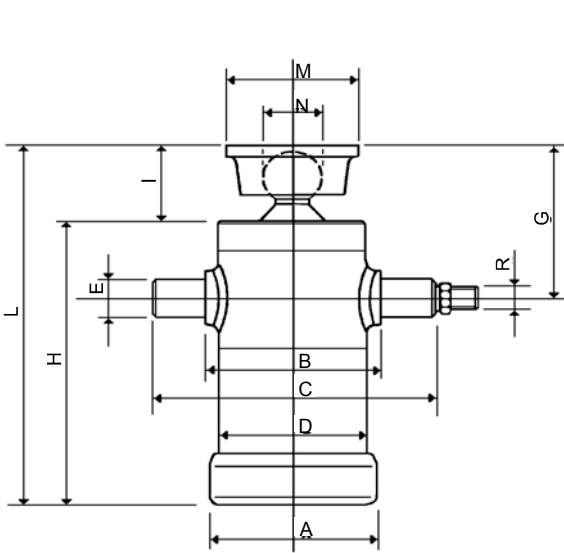
**TRANSPORT
HYDRAULIC
SOLUTIONS**



MULTI STAGE RAISED TRUNNION CYLINDER

Free Call Now
NZ 0800225569 AU 1800225569
www.transporthydraulics.com

RAISED TRUNNION CYLINDER



SUPPORTS FOR CRADLES AND CYLINDERS									
Size	A	B	C	D	E	F	G	H	Kg
Ø 35	130	95	12	Ø 35.5	30	13	40	56	0.9
Ø 40	140	108	15	Ø 40.5	33	15	45	66	1.2
Ø 45	140	108	15	Ø 45.5	33	15	45	66	1.2
Ø 50	150	116	15	Ø 50.5	36	15	45	71	1.4

CUS Multi-Stage Cylinder	Stroke mm	No of Stages	EXTENSIONS Diameter in mm							Capacity (100 Bar in Kg)	Dimensions of cylinders in mm										Weight kg	Capacity Lt		
			46	61	76	91	107	127	146		A	B	C	D	E	G	H	I	L	M			N	R
170-04-80	1700	4		O	O	O	O			8000	145	150	230	127	40	155	505	80	585	115	55	1/2"	45	11.3
215-05-120	2150	5			O	O	O	O	O	12000	195	200	290	168	50	200	530	80	610	115	55	3/4"	71	25.1
260-06-100	2600	6		O	O	O	O	O	O	10000	195	200	290	168	50	200	535	80	615	115	55	3/4"	81	26.9

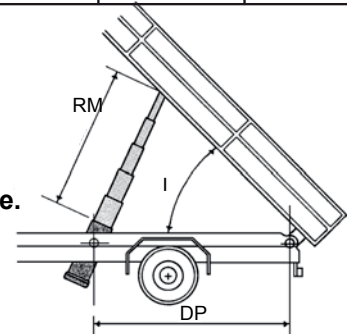
THRUST IN TONNE FOR SINGLE EXTENSION Rated pressure 160 Bar reaching maximum point of 180 Bar

Press Bar	Ø 146	Ø 127	Ø 107	Ø 91	Ø 76	Ø 61	Ø 46
100	16.730	12.660	8.980	6.500	4.530	2.920	1.660
125	20.910	15.820	11.230	8.120	5.660	3.650	2.070
160	26.770	20.250	14.370	10.400	7.250	4.670	2.650

RM = Cylinder reference.
DP = Pivot distance in mm.
I = Body tilting.

WARRANTY CONDITIONS

- Under no circumstance should be allowed to reach the end of it's stroke.
- Destroke valve available on request.
- Allow 20mm extension on fitment.
- Maximum working pressure of 160 Bar.



DP \ RM	800	900	1000	1100	1200	1300	1400	1500	1600	1700	1800	1900	2000	2100	2200	2300	2400	2500	2600	2700	2800	2900	3000
90	-	-	53°	48°	44°	40°	-	-	-	-	-	-	-	-	-	-	-	-	-	-	-	-	-
120	-	-	-	-	55°	51°	47°	44°	41°	-	-	-	-	-	-	-	-	-	-	-	-	-	-
170	-	-	-	-	-	-	-	60°	56°	53°	50°	48°	45°	43°	41°	40°	-	-	-	-	-	-	-
215	-	-	-	-	-	-	-	-	-	-	62°	58°	56°	53°	51°	49°	47°	45°	44°	42°	-	-	-
260	-	-	-	-	-	-	-	-	-	-	-	-	-	-	-	-	60°	58°	55°	53°	51°	-	-