



**Hydrocar**  
Hydraulic Energy

# DM 70

Hydraulic Distributor

ORDERING CODE

DM70 P 0 08 2 00

00 = NO OPTIONALS  
PO = PRESS. SWITCH GAUGE  
MO = MANOMETER GAUGE

INLET GAUGE  
2 = 1/2" GAS FEMALE STANDARD  
3 = 1/2" GAS MALE

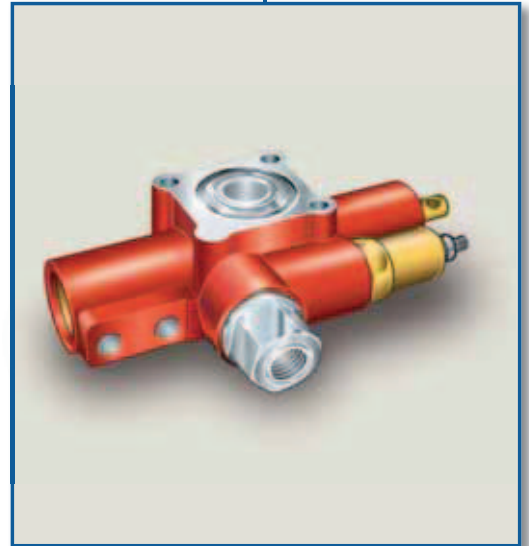
PRESSURE RELIEF VALVE SETTING  
08 ÷ 35 MPa (80-350 bar)

O = FAST LOWERING ONLY  
L = SLOW LOWERING ONLY

P = PNEUMATIC CONTROL  
C = MECHANICAL CONTROL  
L = LEVER CONTROL

MODEL

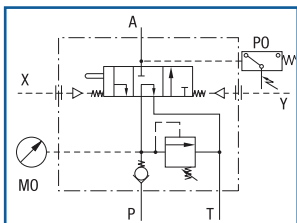
DM 70 P  
DM 70 PL  
DM 70 C  
DM 70 L



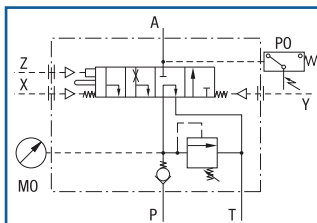
## TECHNICAL SPECIFICATIONS

Flow rate	80 l/min	Fluid temperature °C (t)	-25° + 80°C
Max working pressure	350 bar	Viscosity range	12-100 cSt
Max peak pressure (<0.1 s)	500 bar	Filtering ISO 4406 $\beta_{x=75}$	20/17 25 $\mu$ m
T port max pressure	30 bar	Weight	3.5 kg
Max pneumatic pressure	12 bar	Mineral oil	ISO VG 46

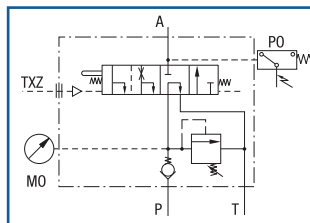
- > Pneumatical or mechanical (operated through cable or lever) 80 l/min distributor for tipping vehicles, with tractor only.
- > It allows tipping, fast lowering and settled slow lowering (model DM P DL).
- > DM M versions are provided with a transitory position slow lowering.
- > Re-centering through spring.
- > In neutral position the oil outlet is open to oil tank and the port A is closed.
- > Port P check and adjustable relief valves are included.
- > End-of-stroke rope.
- > Flange connection to tank or chassis.
- > Upon request manometer or pressure switch gauge.



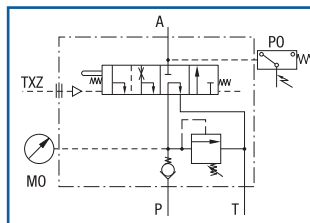
mod.DM70 P



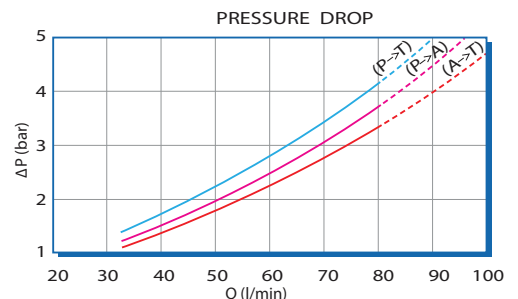
mod.DM70 PL



mod.DM70 C



mod.DM70 L



THE ABOVE SPECIFICATIONS REFER TO OIL TYPE ISO VG 46 AT 50° C ( $\nu$  = 30 cSt)



TRANSPORT  
HYDRAULIC  
SOLUTIONS

INNOVATION IN MOTION



**FREEPHONE**

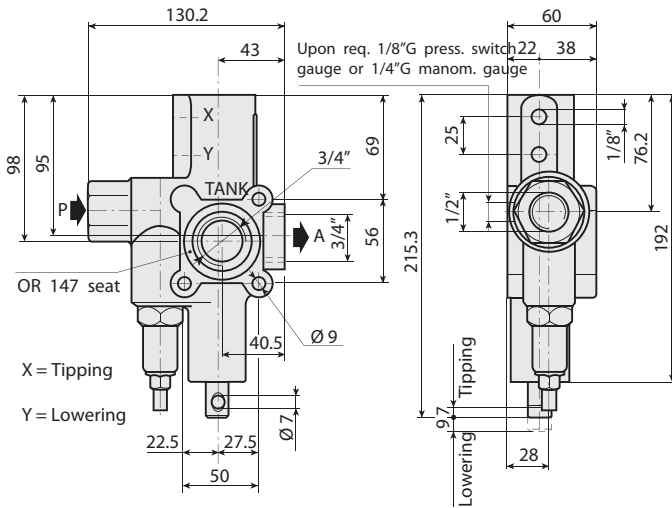
New Zealand **0800 22 55 69**

Australia **1800 22 55 69**

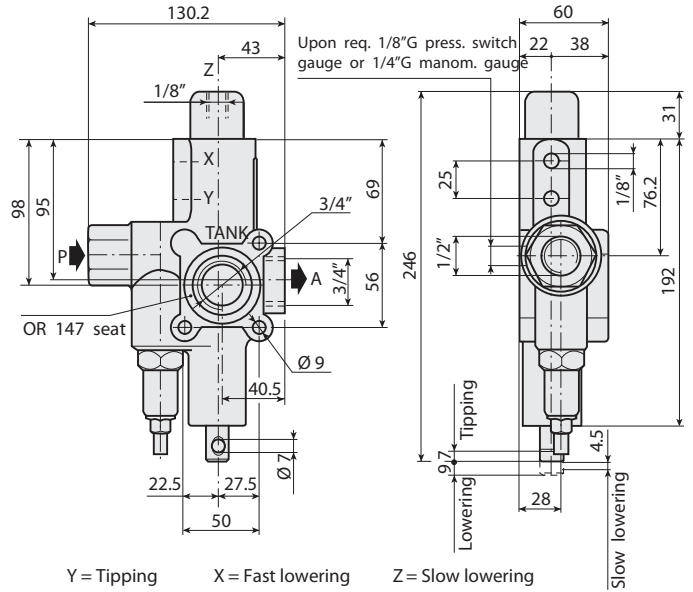
[www.transporthydraulics.com](http://www.transporthydraulics.com)

STANDARD VERSION mod.DM70 P

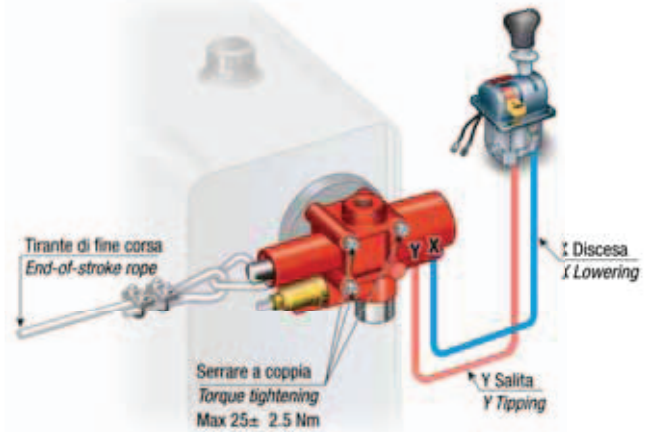
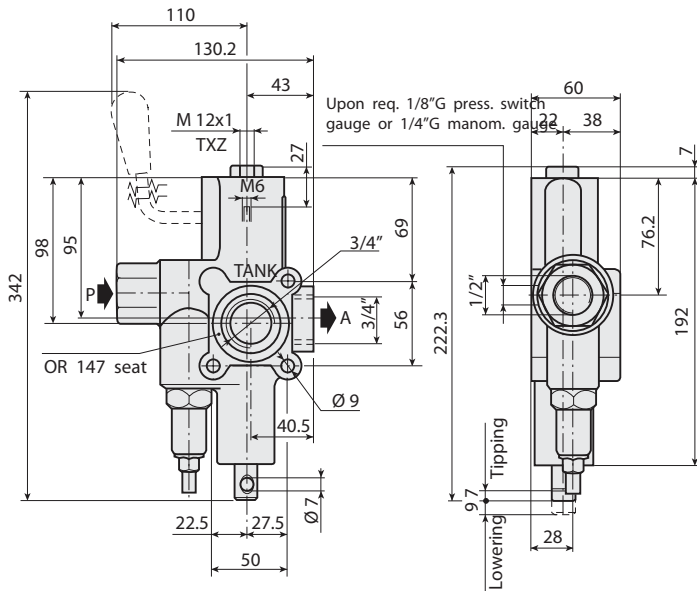
Y = Tipping x = Lowering



SLOW LOWERING VERSION mod.DM70 PL

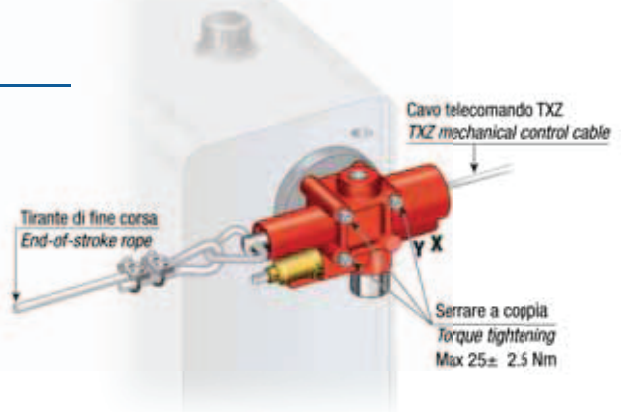


MECHANICAL CONTROL VERSION mod.DM70 C mod.DM70 L



TANK MOUNTING KIT

DESCRIPTION	CODE
For steel tank without flange	30KDF080000
For HYDROCAR "SOP" plastic tank	30KFSOP1000



HYDRAULIC DISTRIBUTORS



TRANSPORT  
HYDRAULIC  
SOLUTIONS

TM

INNOVATION IN MOTION



FREEPHONE

New Zealand 0800 22 55 69

Australia 1800 22 55 69

www.transporthydraulics.com