



Hydrocar
Hydraulic Energy

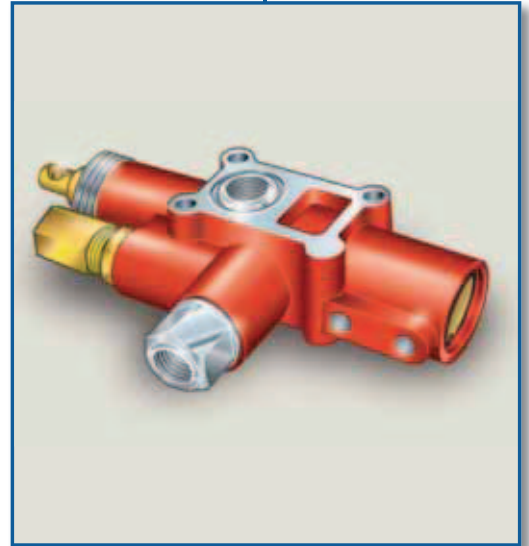
DM 130

Hydraulic Distributor

ORDERING CODE

D130 P P 08 4 00

- DM 130 P
- DM 130 C
- DM 130 L
- DM 130 D
- DM 130 N



- OO = NO OPTIONALS
- PO = PRESSURE SWITCH GAUGE
- MO = MANOMETER GAUGE
- CO = PROTECTION CUP
- MC = MANOMETER AND PROT. CUP
- PC = PRESSURE AND PROT. CUP

INLET GAUGE
4= 3/4" GAS FEMALE STANDARD
5= 3/4" GAS MALE

PRESSURE RELIEF VALVE SETTING
08 ÷ 35 MPa (80-350 bar)

P = PROGRESSIVE LOWERING

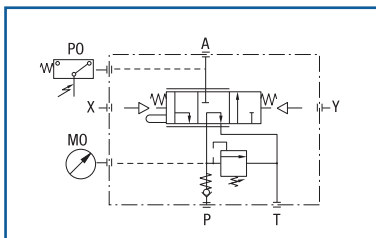
- P = PNEUMATIC CONTROL
- C = MECHANICAL CONTROL MONOSTABLE
- L = LEVER CONTROL MONOSTABLE
- D = MECHANICAL CONTROL TRISTABLE
- N = LEVER CONTROL TRISTABLE

MODEL

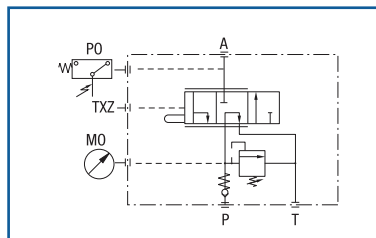
TECHNICAL SPECIFICATIONS

Flow rate	130 l/min	Fluid temperature °C (t)	-25° + 80°C
Max working pressure	350 bar	Viscosity range	12-100 cSt
Max peak pressure (<0.1 s)	500 bar	Filtering ISO 4406 $\beta_{x=75}$	20/17 25 μ m
T port max pressure	30 bar	Weight	4.5 kg
Max pneumatic pressure	12 bar	Mineral oil	ISO VG 46

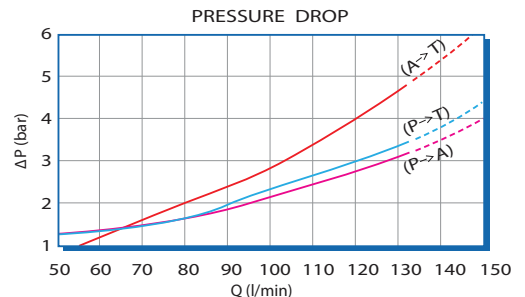
- > Pneumatic or mechanical operated 130 l/min distributor, for tipping vehicles, with tractor only.
- > It performs tipping, fast lowering and progressive lowering (by means of mechanical control cable TXZ or the progressive pneumatic control like CP/DP).
- > The inlet check valve and the adjustable relief valve are built-in.
The relief valve range is from 140-220 bar (std.=160 bar) or (upon request) from 220-350 bar (std.=250 bar)
- > End-of-stroke rope or protection cup.
- > Flange connection to tank or chassis is available.
- > Upon request manometer or pressure switch gauge.



mod.DM 130 P



mod.DM 130 C



THE ABOVE SPECIFICATIONS REFER TO OIL TYPE ISO VG 46 AT 50° C (ν = 30 cSt)



TRANSPORT
HYDRAULIC
SOLUTIONS

TM

INNOVATION IN MOTION



FREEPHONE

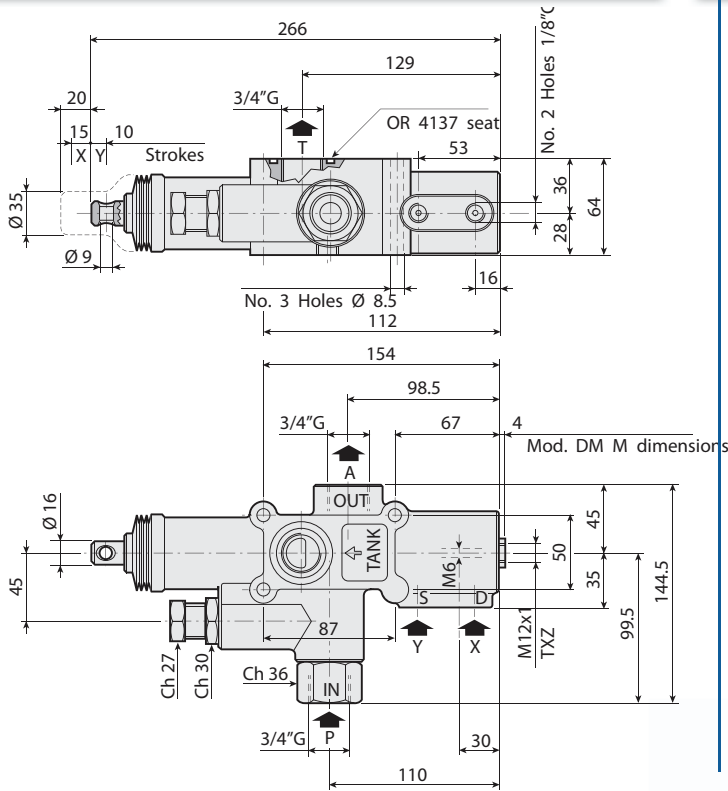
New Zealand **0800 22 55 69**


Australia **1800 22 55 69**

www.transporthydraulics.com

STANDARD VERSION

mod.DM 130

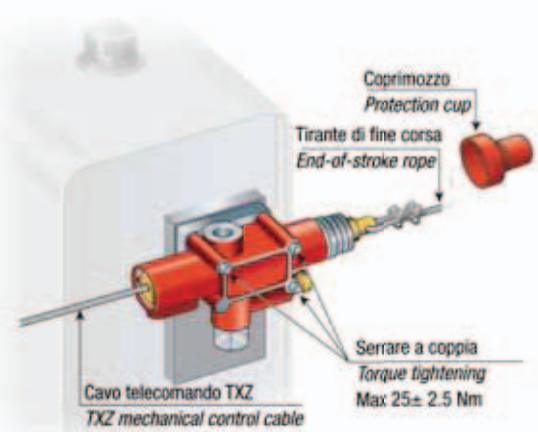
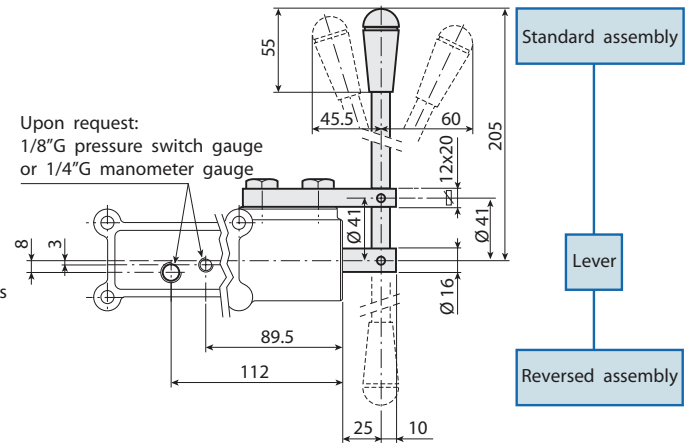


 Pressure switch with washer
Tightening torque: 30 ± 5 Nm

LEVER KIT

CODE

3LDMM800000

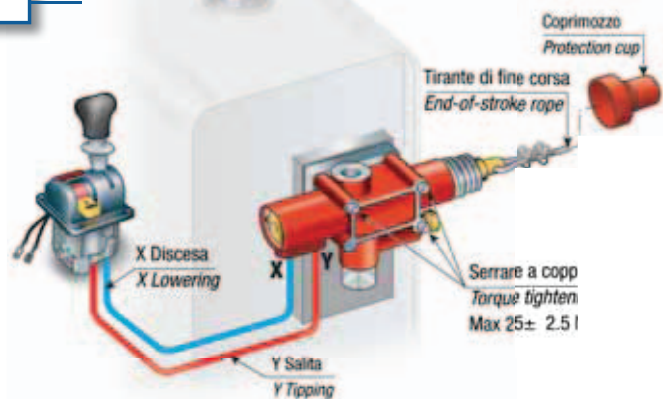


UPON REQUEST PRESSURE SWITCH

Pressure switch set at 3 bar advised for working pressure	< 150 bar
Pressure switch set at 7 bar advised for working pressure	> 150 bar

TANK MOUNTING KIT

DESCRIPTION	CODE
For steel tank with flange	30KDF070000 (plate ≠ 20 mm)
For steel tank with flange	30KDF071000 (plate ≠ 30 mm)
For steel tank without flange	30KDF080000



HYDRAULIC DISTRIBUTORS



TRANSPORT
HYDRAULIC
SOLUTIONS

INNOVATION IN MOTION

FREEPHONE

New Zealand 0800 22 55 69

Australia 1800 22 55 69

www.transporthydraulics.com